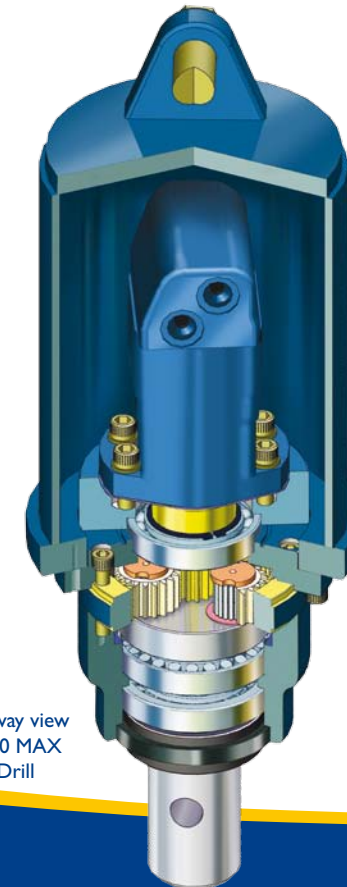
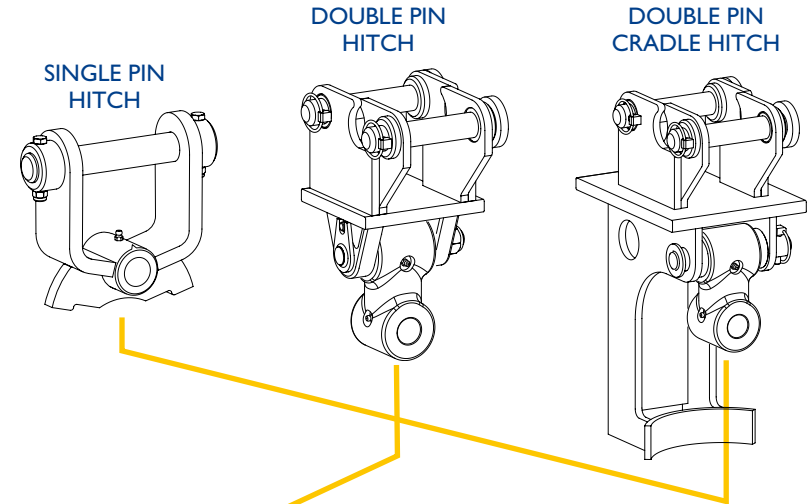
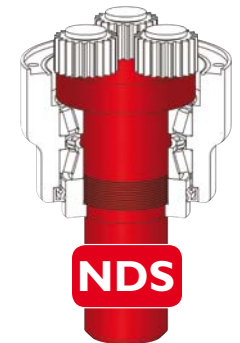


Mini Excavators 1T to 5T

| Earth Drill Models | X2,000 | X2,500 | 3,000 MAX | 3,500 MAX | 4,500 MAX |
|--------------------------|--------------|-----------------|--------------|--------------|--------------|
| Part Number | 21-20100 | 21-20200 | 21-33200 | 21-33300 | 21-33500 |
| Excavator Machine Weight | 1T to 2.5T | 1.5 to 3T | 2T to 4.5T | 2.5T to 4.5T | 3T to 5T |
| Torque | 1,886 Nm | 2,452 Nm | 2,900 Nm | 3,643 Nm | 4,535 Nm |
| Pressure | 205 Bar | 205 Bar | 240 Bar | 240 Bar | 240 Bar |
| Oil Flow Range | 25 to 57 l/m | 27 to 65 l/m | 27 to 75 l/m | 40 to 75 l/m | 50 to 95 l/m |
| Hydraulic Hoses | 1/2" BSP | 1/2" BSP | 1/2" BSP | 1/2" BSP | 1/2" BSP |
| Output Shaft (STD) | 65mm Rnd | 65mm Rnd | 65mm Rnd | 65mm Rnd | 65mm Rnd |
| Output Shaft (Optional) | 2" Hex | 2" Hex | 2" Hex | 2" Hex | 2" Hex |
| Unit Weight | 54kg | 54kg | 71kg | 71kg | 71kg |
| Unit Height | 595mm | 595mm | 700mm | 700mm | 700mm |
| Unit Diameter | 200mm | 200mm <td 238mm | 238mm | 238mm | |
| Auger Series | S4 | S4 | S4 | S4 | S4 |
| Length | 1.2M | 1.2M | 1.2M | 1.2M | 1.2M |
| Auger Diameter Range | 100-400mm | 100-500mm | 100-600mm | 100-750mm | 100-900mm |



Cut away view of 3000 MAX Earth Drill



UNIQUE FEATURE
Non Dislodgement Shaft

Mini Excavator 1T to 2.5T
Drilling Diameter
100 to 400mm

X2,000 Earth Drill

Mini Excavator 1.5T to 3T
Drilling Diameter
100 to 500mm

X2,500 Earth Drill

Mini Excavator 2T to 4.5T
Drilling Diameter
100 to 600mm

3,000 MAX Earth Drill

Mini Excavator 2.5T to 4.5T
Drilling Diameter
100 to 750mm

3,500 MAX Earth Drill

Mini Excavator 3T to 5T
Drilling Diameter
100 to 900mm

4,500 MAX Earth Drill



Mounting Hitch Options

| Pin Size | Single Pin Part Number | Double Pin Part Number | Double Pin Cradle Part Number |
|----------|------------------------|------------------------|-------------------------------|
| 25mm | 11-302500 | 12-302500 | 13-302500 |
| 30mm | 11-303000 | 12-303000 | 13-303000 |
| 32mm | 11-303200 | 12-303200 | 13-303200 |
| 35mm | 11-303500 | 12-303500 | 13-303500 |
| 38mm | 11-303800 | 12-303800 | 13-303800 |
| 40mm | 11-304000 | 12-304000 | 13-304000 |

S4 Extension Shafts - 65mm Round Drive

| Length | 500mm | 800mm | 1M |
|-------------|------------|------------|------------|
| Part Number | 31-4050200 | 31-4080200 | 31-4100200 |

S4 Earth Tooth
Part No 33-9101

S4 Earth Pilot
Part No 33-9203

S4 Pilot Extension
Part No 33-4106

S4 Tungsten Tooth
Part No 33-9104

S4 Tungsten Pilot
Part No 33-9204

S4 Extra Dig Pilot
Part No 33-9212



S4 Auger Range - 65mm Round Drive (Length 1.2M) for X2,000 - X2,500 - 2,500 - 3,000 MAX - 3,500 MAX - 4,500 MAX Earth Drills

Earth and Clay Drilling (Complete with Earth Teeth and Earth Pilot)

| Diameter | 100mm | 150mm | 200mm | 225mm | 250mm | 300mm | 350mm | 400mm | 450mm | 500mm | 600mm | 750mm | 900mm |
|-------------|-------------|-------------|-------------|-------------|-------------|-------------|-------------|-------------|-------------|-------------|-------------|-------------|-------------|
| Part Number | 30-40101200 | 30-40151200 | 30-40201200 | 30-40231200 | 30-40251200 | 30-40301200 | 30-40351200 | 30-40401200 | 30-40451200 | 30-40501200 | 30-40601200 | 30-40751200 | 30-40901200 |

Abrasive Drilling (Complete with Tungsten Teeth and Tungsten Pilot)

| Diameter | 100m | 150mm | 200mm | 225mm | 250mm | 300mm | 350mm | 400mm | 450mm | 500mm | 600mm | 750mm | 900mm |
|-------------|-------------|-------------|-------------|-------------|-------------|-------------|-------------|-------------|-------------|-------------|-------------|-------------|-------------|
| Part Number | 30-40105200 | 30-40155200 | 30-40205200 | 30-40235200 | 30-40255200 | 30-40305200 | 30-40355200 | 30-40405200 | 30-40455200 | 30-40505200 | 30-40605200 | 30-40755200 | 30-40905200 |

Hard/Abrasive Drilling (Complete with Tungsten Teeth and Extra Dig Pilot)

| Diameter | 100m | 150mm | 200mm | 225mm | 250mm | 300mm | 350mm | 400mm | 450mm | 500mm | 600mm | 750mm | 900mm |
|-------------|-------------|-------------|-------------|-------------|-------------|-------------|-------------|-------------|-------------|-------------|-------------|-------------|-------------|
| Part Number | 30-40106200 | 30-40156200 | 30-40206200 | 30-40236200 | 30-40256200 | 30-40306200 | 30-40356200 | 30-40406200 | 30-40456200 | 30-40506200 | 30-40606200 | 30-40756200 | 30-40906200 |